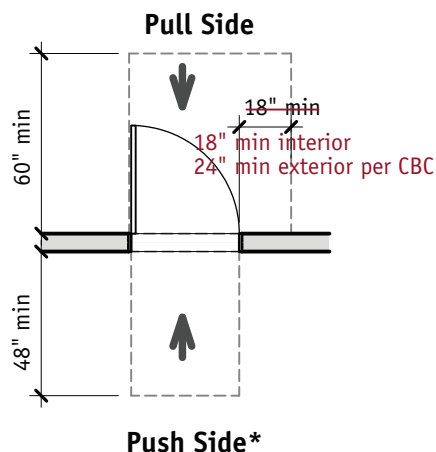
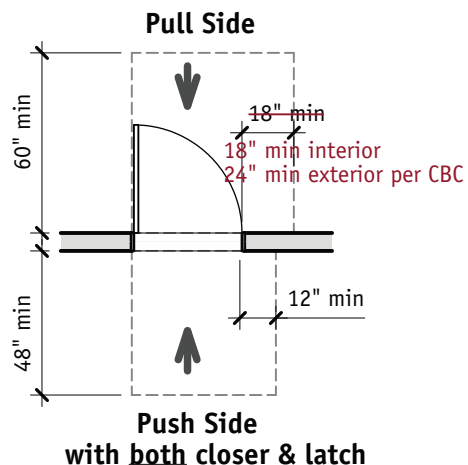


Front Approach

- Doors in alcoves use Front approach per CBC

* Sliding & folding doors/gates & openings < 36" wide with Front approach use Push side clearance

* Openings without doors < 36" wide with side approach use Front approach Push side with 42" min clr depth



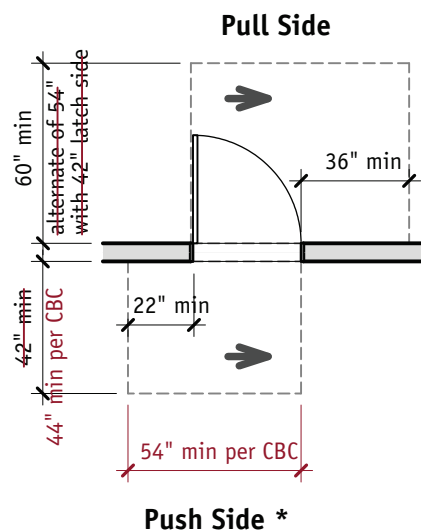
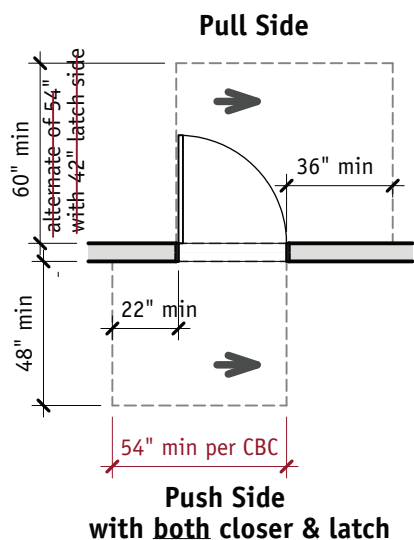
Door Clearances

Notes:

- All required door clear floor spaces to have a maximum slope of ~~1-48~~ 2% per CBC
- Automatic & Power assisted doors without standby power comply with manual door clearances except if automatic doors remain open in the power-off mode
- ~~Hospital patient rooms do not require Latch side clearance~~
- Hinge & Latch approach openings < 36" wide without doors or gates are similar to Front approach Push side but 42" min deep
- One min of the active leafs of double leaf doors & gates has the required maneuvering space
- Controls for powered doors have a level 30" x 48" clr flr space outside of the door swing and centered on the control per CBC
- Theft prevention gates open in the direction of travel & have 60" x 60" clr on pull side & 48" wide x 42" deep min on push side min clr per CBC
- Openings without gates provide level area of 2% max slope on both sides of 48" wide x 44" deep min clr per CBC

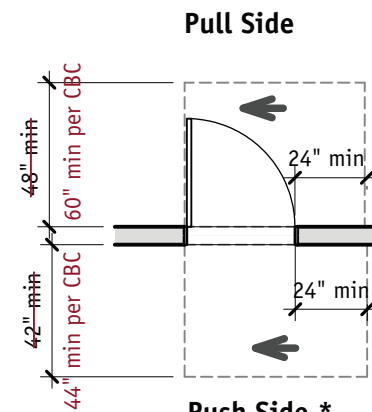
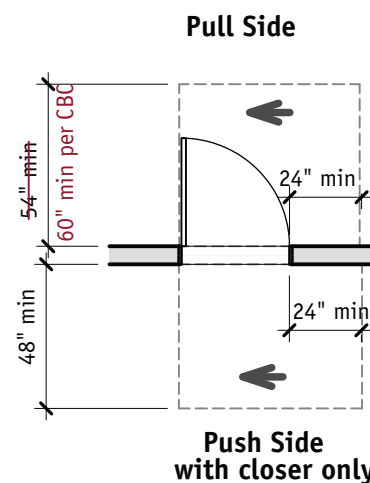
Hinge Approach

* Sliding & folding doors/gates with Hinge or slide side approach use Push side with 42" deep min by 54" wide per CBC



Latch Approach

* Sliding & folding doors/gates with Latch approach use Push side with 42" deep min & 24" additional clearance on latch side



Door Clearances – Sources

ADA Sources

- 309 Operable Parts
- 404.2 Manual Doors, Doorways, and Manual Gates
 - 404.2.2 Double-Leaf Doors and Gates
 - 404.2.4 Maneuvering Clearances
 - 404.3.5 Automatic and Power Assisted Doors and Gates - Controls

CBC Sources

- 1102B Definitions - Level Area
- 1110B.1.6 Group M Occupancies - Theft Prevention Barriers
- 1133B.2.3.4 Turnstiles, Rails, and Pedestrian Controls
- 1133B.2.4.2 Floor Levels at Doors - Maneuvering Clearances at Doors
- 1133B.2.4.3 Width of the Level Area
- 1133B.2.5.2.c Door Opening Force - Exceptions

Figure 11B-26A Level Maneuvering Clearance at Doors

Figure 11B-26B Level Maneuvering Clearance at Doors

Figure 11B-26C Level Maneuvering Clearance at Doors